



WL Series

4 Foot Poultry Lighting System

2,000 - 8,000 Lumens



Project: _____
 Location: _____
 Cat.No: _____
 Notes: _____

Product Description

The Winglight Series is the culmination of extensive research and development in poultry lighting, providing flicker-free illumination with smooth, seamless dimming controlled by a 0-10V signal. The advanced internal circuitry ensures a flawless transition from darkness to light. With various color options and lumen outputs available, the Winglight is designed to enhance poultry performance according to your needs. Additionally, our 0-10V Bridge Controller allows easy integration with any poultry system that uses a 0-10V control signal, ensuring compatibility and precise control for optimal lighting results.

Application

This unit is designed to integrate seamlessly with our 0-10V Winglight Bridge Control, providing a smooth dimming experience with precise control. It's ideal for poultry applications that require accurate and reliable lighting adjustments.

Features

- Flicker free design tested by poultry experts
- Winglight source to sink control compatible
- 0.1% - 100% 0-10V dimming for control/precision
- Control up to 4 separate zones with 250-300 lights max per zone
- Compatible with any poultry control that has a 0-10V control signal

Options

- Wide range of lumen outputs
- Variety of lens option's
- Customizable color temperature or CRI values
- POM or stainless latch options

Mounting

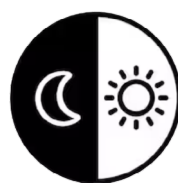
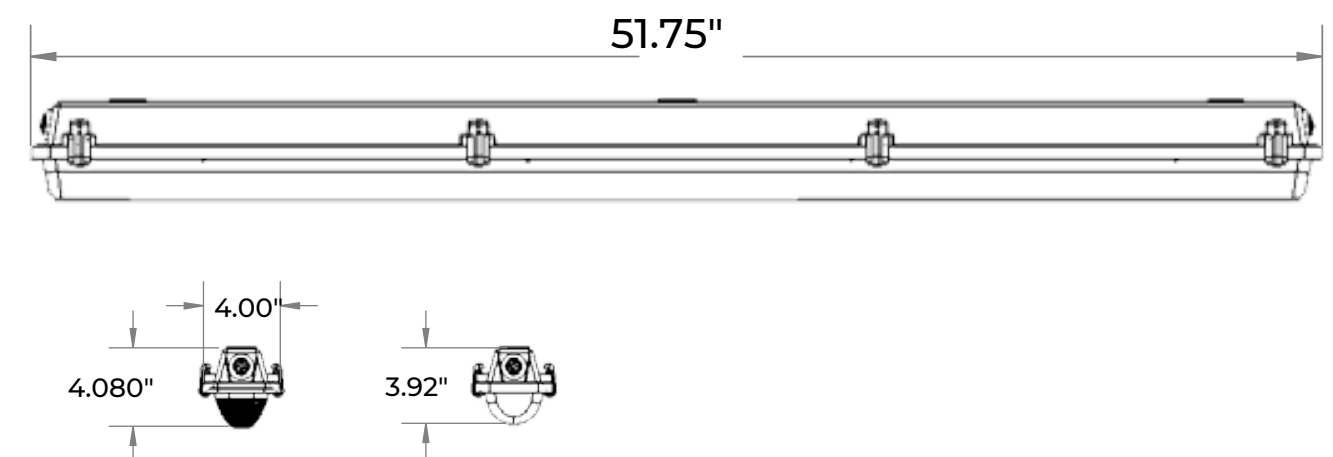
- Surface mount (This unit can be mounted directly to any ceiling or wall)
- Suspension mount (Chain mounting compatible by default)

Approvals

Approved for use in Canada and USA, QPS Certified, NSF Rated Components, Neema 4x rated

Warranty

Standard 5 year warranty, view our warranty policy for full details



Ordering Guide

Example: LZN4-8C40K055L-UNVD1NW-FRPMMB

WL N4	CRI	CCT	Lumens	Voltage	Driver	0-10V Wiring	Lens	Latches	Mounting
	8C 80	30K 3000K	080L 8,000 Lumens	UNV 120-277V	D1 0-10V 0.1% Dim.	PW Pre-Wired for DIM	CR Clear Ribbed FR Frosted Ribbed CS Clear Smooth FS Frosted Smooth	PM POM (Nylon Latches) SS Stainless Steel Latches	MB Surface/Chain Mount Brackets NM No Mount Bracket's
9C 90	40K 4000K	055L 5,500 Lumens							
	50K 5000K	040L 4,000 Lumens							
	65K 6500K	020L 2,000 Lumens							

Options

- Blank None
- CD2 2' Whip Pre-Wired (Black)
- CD3 3' Whip Pre-Wired (Black)

Specification Chart

Lumens	Watts	Color	CRI
8,000	56	5000K	80
5,500	37	5000K	80
4,000	27	5000K	80
2,000	14	5000K	80

Testing is based on ambient 25c. As nominal calculations, actual outputs may vary based on product configurations. We reserve the right to correct any printing errors or mistakes in our tables

