



LZ Series

Vaportight Wide 4' Body

27,000 - 36,000 Lumens

Project: _____
 Location: _____
 Cat.No: _____
 Notes: _____

Product Description

The LZ Series Wide Body 4' fixture is a high output vaportight fixture, ideal for applications needing extensive coverage on high ceilings. It offers versatility with multiple lumen packages, mounting options, lens styles and sensors. The casing is made in the USA with a robust build and a thick seal for durability in dusty or wet environments, it suits installation heights from 16 to 40 feet. Final assembly in Ontario, Canada ensures meticulous craftsmanship, making it the ideal lighting solution for your needs.

Application

This unit excels in industrial, commercial and agricultural settings where protection against water and dust is crucial. Such as washbays, food storage warehouse, food processing plants, warehouses, welding factories, concrete factories, drive sheds, and more. Recommended for installation heights ranging from 16 to 40 feet, it's an exceptional choice for demanding environments.

Features

- Configurations exceeding 140 lm/w
- Robust LED boards made in-house by JW LED Inc.
- Standard 0-10V dimming for control/precision

Options

- Wide range of lumen outputs
- Variety of lens options
- Motion sensor controls
- Pre-wired whips (Specify in ordering code if required)

Mounting

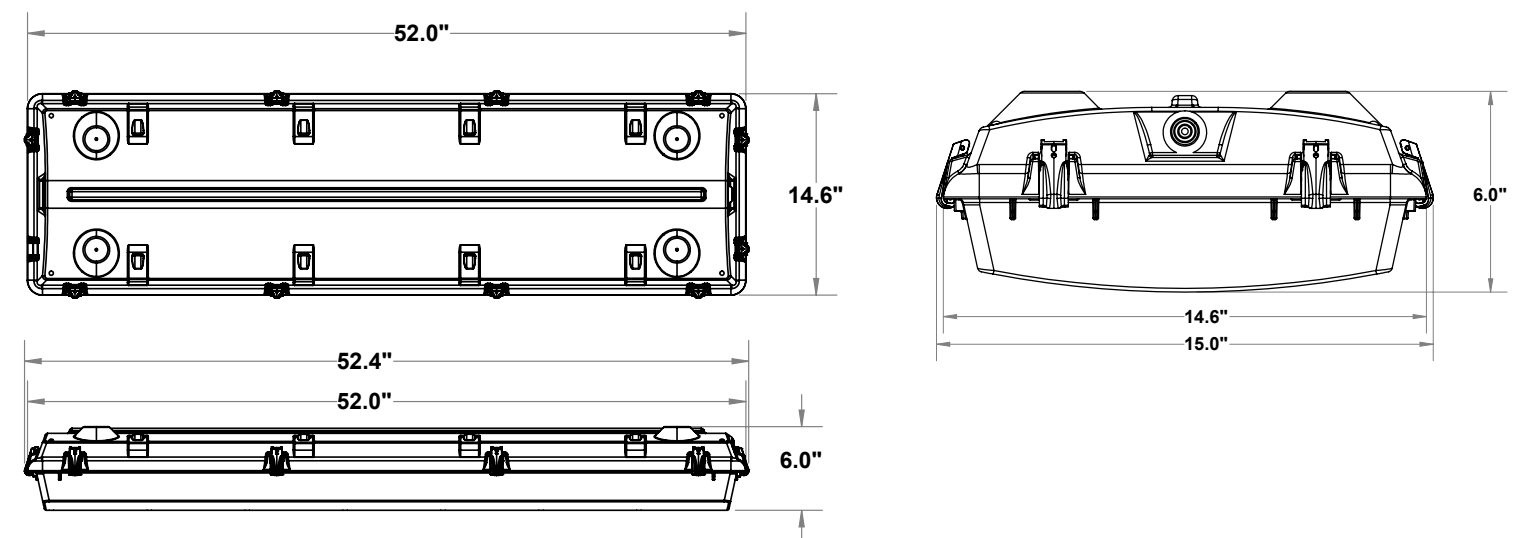
- Surface mount (This unit can be mounted directly to any ceiling or wall)
- Chain mount (Specify in ordering code)

Approvals

Approved for use in Canada and USA, QPS Certified, NSF Rated Components, Neema 4x rated

Warranty

Standard 5 year warranty, view our warranty policy for full details



Ordering Guide

Example: LZW4-8C40K30L-347D1NW-FSSSCM

LZW4	CRI	CCT	Lumens	Voltage	Driver	0-10V Wiring	Lens	Latches	Mounting
	8C 80	30K 3000K	360L 36,000 Lumens	UNV 120-277V	D1 0-10V 1%	NW Not Wired for DIM	FS Frosted Smooth	PM POM (Nylon Latches)	CH Chain Mount Hooks
	9C 90	40K 4000K	330L 33,000 Lumens	347 347V		PW Pre-Wired for DIM	FS Frosted Clear	SS Stainless Steel Latches	SM Surface Mount Hooks
		50K 5000K	300L 30,000 Lumens						HM Heavy Duty Surface Mount Bracket
		65K 6500K	270L 27,000 Lumens						

Options
Blank None
RTP Retail Packaging
CD2 2' Whip Pre-Wired (Black)
CD3 3' Whip Pre-Wired (Black)
SN1 PIR Motion Sensor
SN2 PIR Motion Sensor (IP66)

Specification Chart

Lumens	Watts	Color	CRI
36,000	248	5000K	80
33,000	227	5000K	80
30,000	206	5000K	80
27,000	186	5000K	80

Testing is based on ambient 25c. As nominal calculations, actual outputs may vary based on product configurations. We reserve the right to correct any printing errors or mistakes in our tables