

The logo consists of the letters 'J' and 'W' in a bold, sans-serif font. The 'J' is dark blue with a white outline, and the 'W' is light grey with a white outline. The letters are positioned above the word 'LED'.

LED

CANADIAN LIGHTING MANUFACTURER
COMMERCIAL · AGRICULTURAL · INDUSTRIAL

Service, Quality and Innovation

GET MORE LIGHT.

Since 2014 JW LED Inc. is a local manufacturer providing the industry with high quality LED light fixtures for all applications.

The journey began when in our fabrication shop the trusty old fluorescent lights were burning out. There was talk of LED lights, the latest and greatest in the history of all lighting. From all that was available we only found the LED tubes but not the metal fixtures. Motivated by that fact, an urge to create our own fixtures came to life. We had our own machines and with the paint shop not far away, drawings were made and some time was spent and before too long the first fixtures were cut and bent. We assembled these fixtures, put the LED tubes in and up they went. Little by little we got some requests for these fixtures from our neighbors and friends, so upgrades were made and so on it rolled.

JW LED Inc. offers fully certified lighting packages for **INDUSTRIAL, AGRICULTURAL** as well as **COMMERCIAL** applications. We manufacture our fixtures locally. Beginning with laser fabrication going over to powder painting then finishing with assembly and stocking.

Using high grade aluminum for our LED boards and only buying top end LED Chips gives our boards ratings to run for more than 50,000 hours. With our own SMT line we are capable of populating the LED boards with a variety of IN STOCK color options from Warm White to Cool White. The LED Driver is the ENGINE of a light fixture and the drivers we use are currently chosen because of PERFORMANCE and DURABILITY. We stock these parts for each fixture we make and they are covered by our 5 year standard warranty allowing us to provide AFTER SALES SERVICE.

Our main focus is to provide The Industry with competitive, always in stock unique light fixtures that are easy to install and suitable for the application while providing enough or more than enough light for the area.

Contact us today for more details.

JW LED Inc.

📍 346142 4th Concession B, Flesherton ON N0C 1E0

☎ 226-916-1240 ✉ sales@jwled.ca 🖱 jwled.ca

CONTENTS

BA SERIES LINEAR HIGH BAYS

2,000-39,000 Lumens 1-4

SP SERIES LINEAR STRIP

2,000-10,000 Lumens 5

LZ SERIES VAPOR TIGHTS

2,000-36,000 Lumens 6-9



BA Series

1'x2' Commercial/Industrial Grade Lowbay

2,000 to 10,000 Lumens

Project: _____
 Location: _____
 Cat.No: _____
 Notes: _____

Product Description

The BA Series 1'x2' fixture is precision-engineered for expansive illumination with a wide 120-degree distribution angle, making it ideal for applications requiring broad coverage. Designed for medium to low ceilings, it offers versatility with various lumen packages and mounting options. Its robust thermal design ensures reliable performance in challenging conditions, suitable for installation heights from 6 to 20 feet. Handcrafted in Ontario, Canada, it's the ideal choice for your lighting needs.

Application

This unit is a great option for industrial, commercial or agricultural buildings such as metal fabricating shops, woodworking shops, storage sheds, warehouses, drive sheds, on farm shop's, grocery stores, tool stores, airplane hangers, hockey rinks, hobby shops and many more. Recommended Installation Height Is 6 to 20 Feet.

Features

- Configurations exceeding 160 lm/w
- Slim profile 1.75" thick for tight fit spaces
- Standard 0-10V dimming for control/precision
- Robust LED boards made in house by JW LED Inc.

Options

- Wide range of lumen outputs
- Variety of motion sensors or controls
- Customizable color temperature or CRI values
- Pre-wired whips for quick installation

Mounting

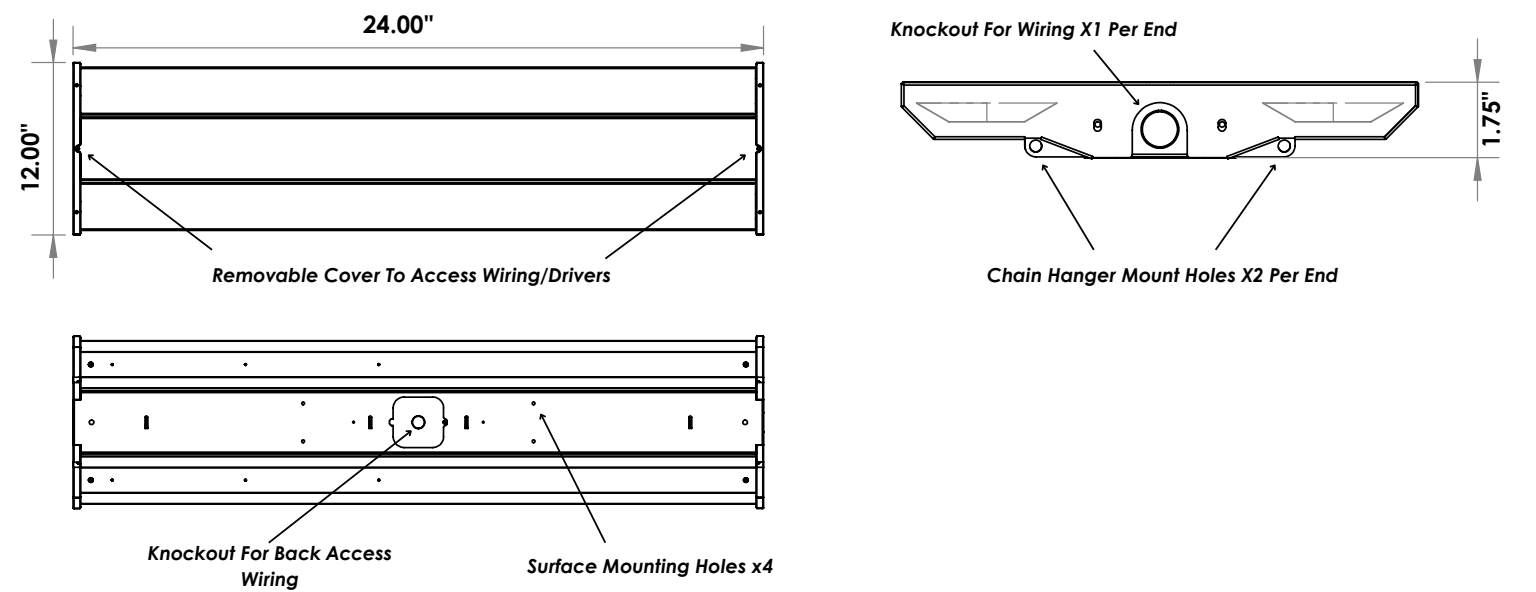
- Surface mount (This unit can be mounted directly to any ceiling or wall)
- Suspension mount (Add the chain hangers in the ordering code)

Approvals

Approved for use in Canada and USA, QPS Certified

Warranty

Standard 5 year warranty, view our warranty policy for full details



Ordering Guide

Example: BA12-8C50K195L-UNVD1NW-NLSM

BA12	Lumens			Voltage	Driver	0-10V Wiring	Lens	Mounting	Options
	CRI	CCT	Lumens						
8C	80	30K	3000K	UNV 120-277V 347 347V	D1 0-10V 1%	NW Not Wired for DIM PW Pre-Wired for DIM	NL No Lens FS Frosted Smooth	SM Surface Mount CH Chain Hanger Hooks	Blank None RTP Retail Packaging CD3 3' Whip Pre-Wired (Black) MS5 Motion Sensor for Aisleway ^{4,5} MS4 Motion Sensor for 360 ^o ^{4,5}
9C	90	40K	4000K						
		50K	5000K						
		65K	6500K						
		097L	9,750 Lumens						
		080L	8,000 Lumens						
		060L	6,000 Lumens						
		040L	4,000 Lumens						
		020L	2,000 Lumens						

Specification Chart

Lumens	Watts	Color	CRI
9,750	61	5000K	80
8,000	49	5000K	80
6,000	37	5000K	80
4,000	24	5000K	80
2,000	12	5000K	80

Testing is based on ambient 25c. As nominal calculations, actual outputs may vary based on product configurations. We reserve the right to correct any printing errors or mistakes in our tables



BA Series

1'x4' Commercial/Industrial Grade Highbay

10,000-19,500 Lumens

Project: _____

Location: _____

Cat.No: _____

Notes: _____

Product Description

The BA Series 1'x4' fixture is precision-engineered for expansive illumination with a wide 120-degree distribution angle, making it ideal for applications requiring broad coverage. Designed for mid to high ceilings, it offers versatility with various lumen packages and mounting options. Its robust thermal design ensures reliable performance in challenging conditions, suitable for installation heights from 15 to 30 feet. Handcrafted in Ontario, Canada, it's the ideal choice for your lighting needs.

Application

This unit is a great option for industrial, commercial or agricultural buildings such as metal fabricating shops, woodworking shops, storage sheds, warehouses, drive sheds, on farm shop's, grocery stores, tool stores, airplane hangers, hockey rinks, hobby shops and many more. Recommended Installation Height Is 15 to 30 Feet.

Features

- Configurations exceeding 160 lm/w
- Slim profile 1.75" thick for tight fit spaces
- Standard 0-10V dimming for control/precision
- Robust LED boards made in house by JW LED Inc.

Options

- Wide range of lumen outputs
- Variety of motion sensors or controls
- Customizable color temperature or CRI values
- Pre-wired whips for quick installation

Mounting

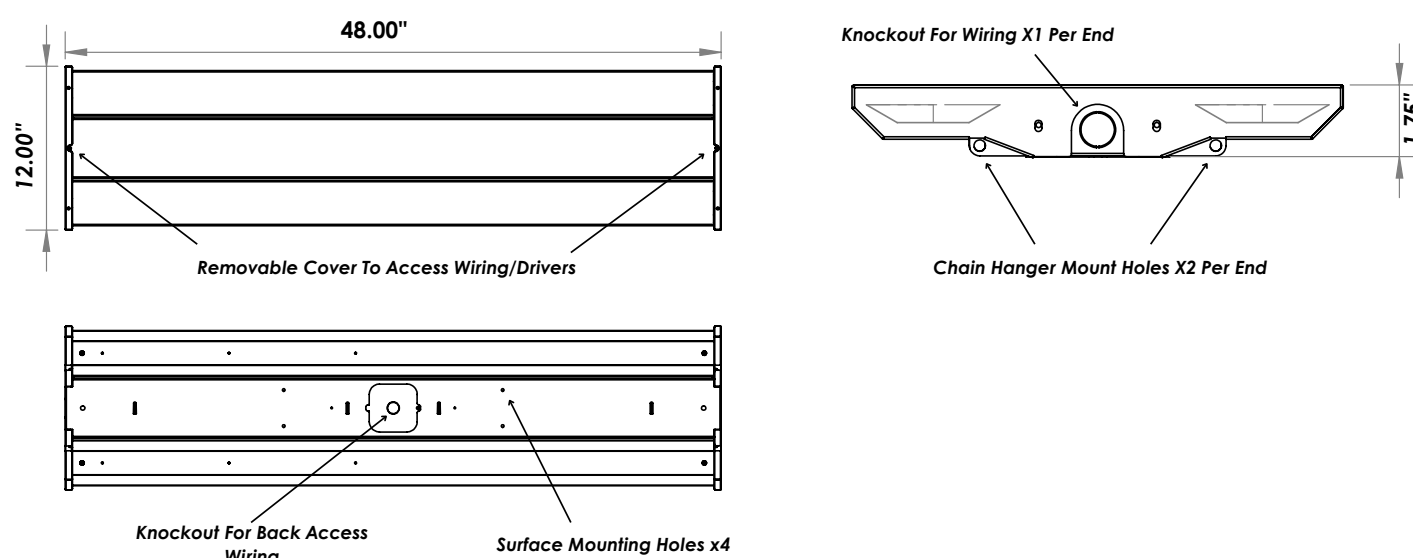
- Surface mount (This unit can be mounted directly to any ceiling or wall)
- Suspension mount (Add the chain hangers in the ordering code)

Approvals

Approved for use in Canada and USA, QPS Certified

Warranty

Standard 5 year warranty, view our warranty policy for full details



Ordering Guide

Example: BA14-8C50K195L-UNVD1NW-NLSM

BA14	CRI	CCT	Lumens	Voltage	Driver	0-10V Wiring	Lens	Mounting	Options
	8C 80	30K 3000K	195L 19,500 Lumens	UNV 120-277V	D1 0-10V 1%	NW Not Wired for DIM	NL No Lens	SM Surface Mount	Blank None
	9C 90	40K 4000K	184L 18,400 Lumens	347 347V		PW Pre-Wired for DIM	FS Frosted Smooth	CH Chain Hanger Hooks	RTP Retail Packaging
		50K 5000K	137L 13,700 Lumens						CD3 3' Whip Pre-Wired (Black)
		65K 6500K	100L 10,000 Lumens						MS5 Motion Sensor for Aisleway ^{4,5}
									MS4 Motion Sensor for 360 ^{4,5}

Specification Chart

Lumens	Watts	Color	CRI
19,500	122	5000K	80
18,400	113	5000K	80
13,700	84	5000K	80
10,000	61	5000K	80

Testing is based on ambient 25c. As nominal calculations, actual outputs may vary based on product configurations. We reserve the right to correct any printing errors or mistakes in our tables



BA Series

2'x2' Commercial/Industrial Grade Highbay

10,000-19,500 Lumens

Project: _____

Location: _____

Cat.No: _____

Notes: _____

Product Description

The BA Series 2'x2' fixture is precision-engineered for expansive illumination with a wide 120-degree distribution angle, making it ideal for applications requiring broad coverage. Designed for mid to high ceilings, it offers versatility with various lumen packages and mounting options. Its robust thermal design ensures reliable performance in challenging conditions, suitable for installation heights from 15 to 30 feet. Handcrafted in Ontario, Canada, it's the ideal choice for your lighting needs.

Application

This unit is a great option for industrial, commercial or agricultural buildings such as metal fabricating shops, woodworking shops, storage sheds, warehouses, drive sheds, on farm shop's, grocery stores, tool stores, airplane hangers, hockey rinks, hobby shops and many more. Recommended Installation Height Is 15 to 30 Feet.

Features

- Configurations exceeding 160 lm/w
- Slim profile 1.75" thick for tight fit spaces
- Standard 0-10V dimming for control/precision
- Robust LED boards made in house by JW LED Inc.

Options

- Wide range of lumen outputs
- Variety of motion sensors or controls
- Customizable color temperature or CRI values
- Pre-wired whips for quick installation

Mounting

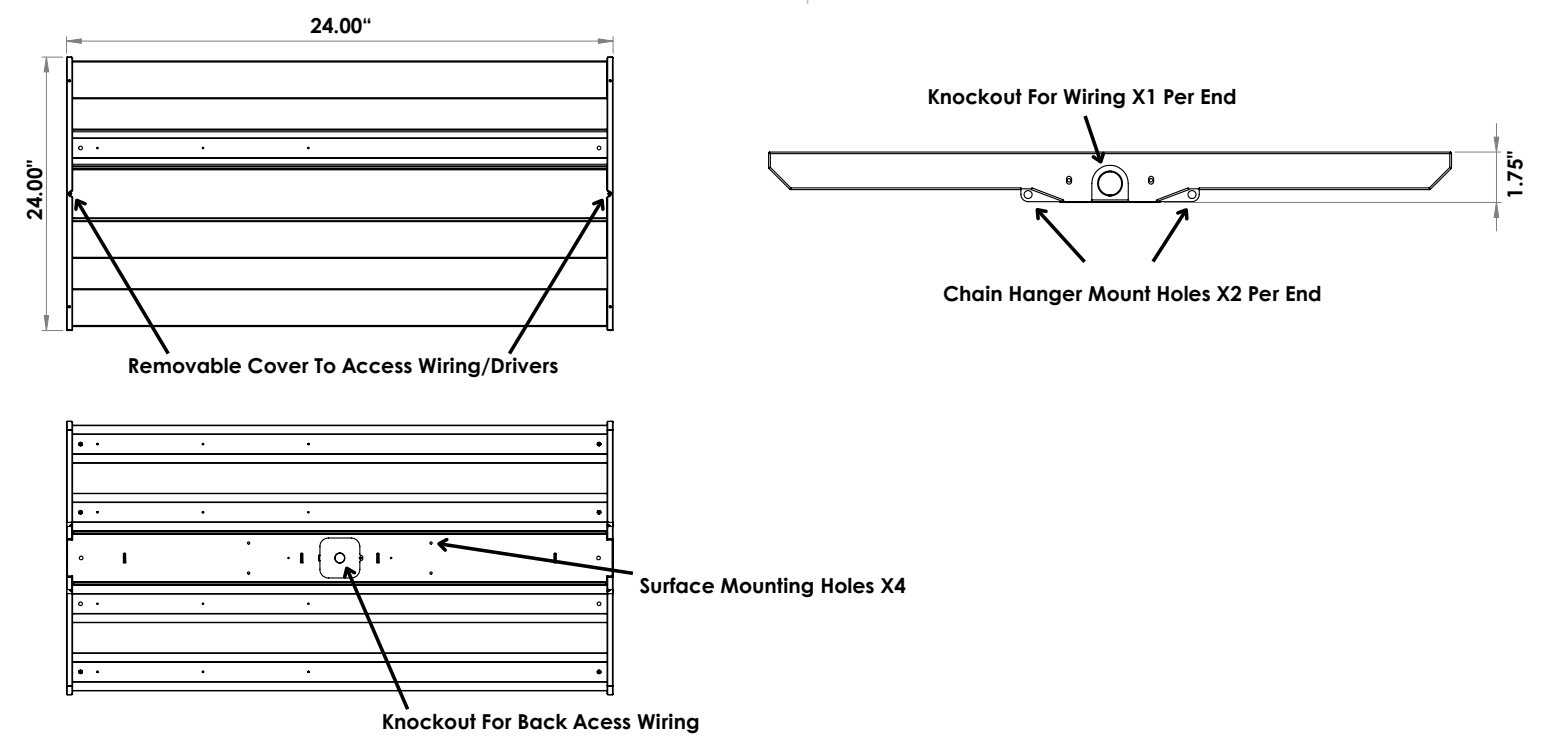
- Surface mount (This unit can be mounted directly to any ceiling or wall)
- Suspension mount (Add the chain hangers in the ordering code)

Approvals

Approved for use in Canada and USA, QPS Certified

Warranty

Standard 5 year warranty, view our warranty policy for full details



Ordering Guide

Example: BA22-8C50K195L-UNVD1NW-NLSM

BA22	CRI	CCT	Lumens	Voltage	Driver	0-10V Wiring	Lens	Mounting	Options
	8C 80	30K 3000K	195L 19,500 Lumens	UNV 120-277V	D1 0-10V 1%	NW Not Wired for DIM	NL No Lens	SM Surface Mount	Blank None
	9C 90	40K 4000K	184L 18,400 Lumens	347 347V		PW Pre-Wired for DIM	FS Frosted Smooth	CH Chain Hanger Hooks	RTP Retail Packaging
		50K 5000K	137L 13,700 Lumens						CD3 3' Whip Pre-Wired (Black)
		65K 6500K	100L 10,000 Lumens						MS5 Motion Sensor for Aisleway ^{4,5}
									MS4 Motion Sensor for 360° ^{4,5}

Specification Chart

Lumens	Watts	Color	CRI
19,500	122	5000K	80
18,400	113	5000K	80
13,700	84	5000K	80
10,000	61	5000K	80

Testing is based on ambient 25c. As nominal calculations, actual outputs may vary based on product configurations. We reserve the right to correct any printing errors or mistakes in our tables



BA Series

2'x4' Commercial/Industrial Grade Highbay

27,000 to 39,000 Lumens

Project: _____
 Location: _____
 Cat.No: _____
 Notes: _____

Product Description

The BA Series 2'x4' fixture is precision-engineered for expansive illumination with a wide 120-degree distribution angle, making it ideal for applications requiring broad coverage. Designed for mid to high ceilings, it offers versatility with various lumen packages and mounting options. Its robust thermal design ensures reliable performance in challenging conditions, suitable for installation heights from 20 to 50 feet. Handcrafted in Ontario, Canada, it's the ideal choice for your lighting needs.

Application

This unit is a great option for industrial, commercial or agricultural buildings such as metal fabricating shops, woodworking shops, storage sheds, warehouses, drive sheds, on farm shop's, grocery stores, tool stores, airplane hangers, hockey rinks, hobby shops and many more. Recommended Installation Height Is 20 to 50 Feet.

Features

- Configurations exceeding 160 lm/w
- Slim profile 1.75" thick for tight fit spaces
- Standard 0-10V dimming for control/precision
- Robust LED boards made in house by JW LED Inc.

Options

- Wide range of lumen outputs
- Variety of motion sensors or controls
- Customizable color temperature or CRI values
- Pre-wired whips for quick installation

Mounting

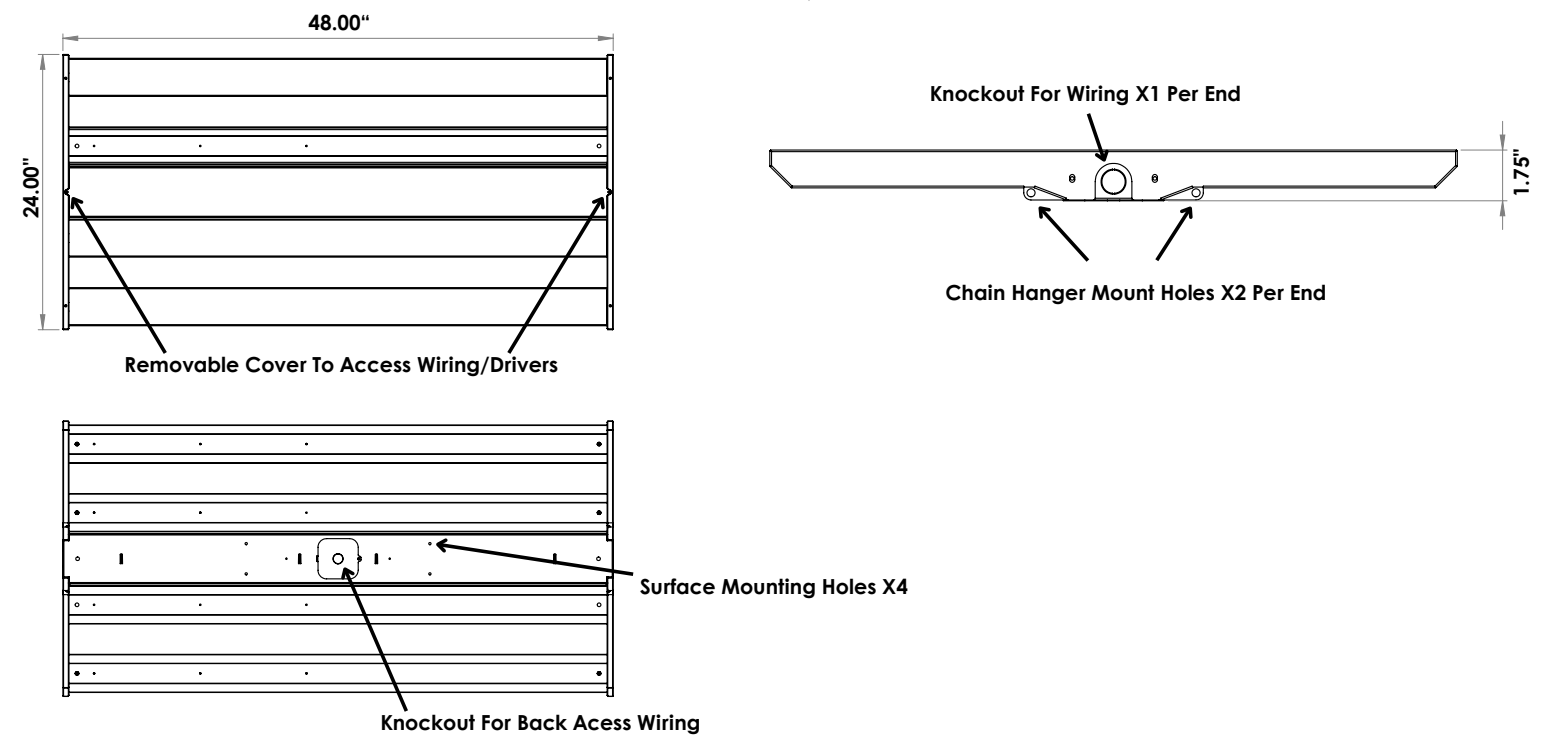
- Surface mount (This unit can be mounted directly to any ceiling or wall)
- Suspension mount (Add the chain hangers in the ordering code)

Approvals

Approved for use in Canada and USA, QPS Certified

Warranty

Standard 5 year warranty, view our warranty policy for full details



Ordering Guide

Example: BA24-8C50K195L-UNVD1NW-NLSM

BA24	CRI	CCT	Lumens	Voltage	Driver	0-10V Wiring	Lens	Mounting	Options
	8C 80	30K 3000K	390L 39,000 Lumens	UNV 120-277V	D1 0-10V 1%	NW Not Wired for DIM	NL No Lens	SM Surface Mount	Blank None
	9C 90	40K 4000K	360L 36,000 Lumens	347 347V		PW Pre-Wired for DIM	FS Frosted Smooth	CH Chain Hanger Hooks	RTP Retail Packaging
		50K 5000K	330L 33,000 Lumens						CD3 3' Whip Pre-Wired (Black)
		65K 6500K	300L 30,000 Lumens						MS5 Motion Sensor for Aisleway ^{4,5}
			270L 27,000 Lumens						MS4 Motion Sensor for 360 ^{4,5}
									RBP Reflectance Back PLate

Specification Chart

Lumens	Watts	Color	CRI
39,000	240	5000K	80
36,000	222	5000K	80
33,000	203	5000K	80
30,000	185	5000K	80
27,000	166	5000K	80

Testing is based on ambient 25c. As nominal calculations, actual outputs may vary based on product configurations. We reserve the right to correct any printing errors or mistakes in our tables



SP Series

4' Linear Commercial/Industrial Grade Lowbay

2,000-10,000 Lumens

Project: _____

Location: _____

Cat.No: _____

Notes: _____

Product Description

The SP Series Linear 4' fixture is meticulously engineered to provide expansive illumination with a wide distribution angle, making it perfect for applications needing broad coverage on medium to low ceilings. It offers versatility with multiple lumen packages and mounting options. Its innovative design facilitates easy row mounting, transforming two fixtures into an 8-foot unit, suitable for installation heights ranging from 6 to 20 feet. Handcrafted in Ontario, Canada, it represents the ideal choice for your lighting requirements.

Application

This unit is a great option for industrial, commercial or agricultural applications such as metal fabricating shops, mezzamines, garages, offices, hallway's, workbenches, grocery stores, tool stores, retail stores, airplane hangers, repair rooms, hobby shops and many more. Recommended Installation Height Is 6 to 20 Feet.

Features

- Configurations exceeding 160 lm/w
- End to end mountable for 8 foot fixture
- Standard 0-10V dimming for control/precision
- Robust LED boards made in house by JW LED Inc.

Options

- Wide range of lumen outputs
- Variety of motion sensors or controls
- Customizable color temperature or CRI values
- Pre-wired whips for quick installation

Mounting

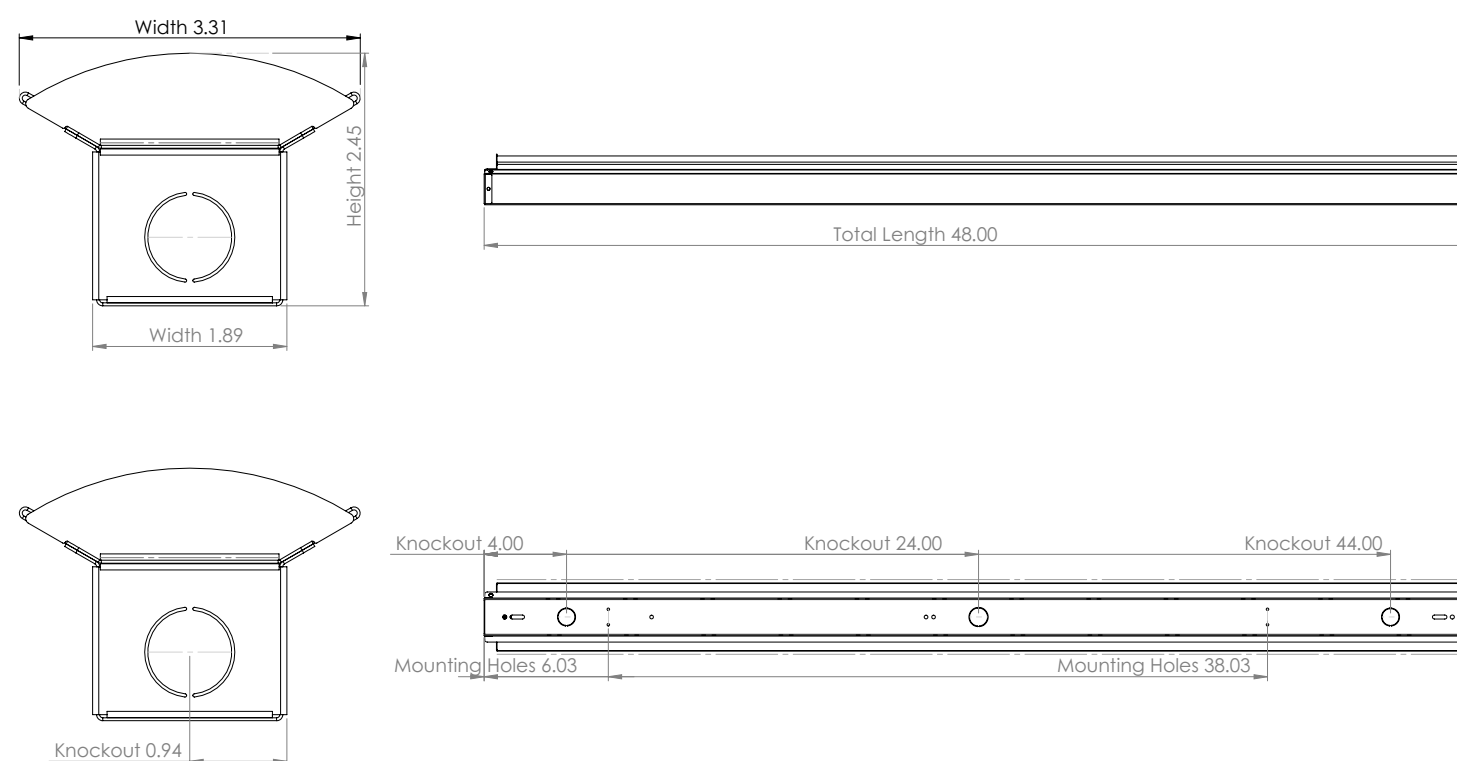
- Surface mount (This unit can be mounted directly to any ceiling or wall)
- Suspension mount (Chain mounting compatible by default)

Approvals

Approved for use in Canada and USA, QPS Certified

Warranty

Standard 5 year warranty, view our warranty policy for full details



Ordering Guide

Example: SP4-8C50K097L-UNVD1NW-NLSM

SP4	CRI	CCT	Lumens	Voltage	Driver	0-10V Wiring	Lens	Mounting
	8C 80	30K 3000K	097L 9,750 Lumens	UNV 120-277V	D1 0-10V 1%	NW Not Wired for DIM	NL No Lens	SM Surface or Chain Mountable
	9C 90	40K 4000K	080L 8,000 Lumens	347 347V		PW Pre-Wired for DIM	FS Frosted Smooth	
		50K 5000K	060L 6,000 Lumens					
		65K 6500K	040L 4,000 Lumens					
			020L 4,000 Lumens					

Options

- Blank** None
- RTP** Retail Packaging
- CD3** 3' Whip Pre-Wired (Black)
- CP3** 3' Cord Male Plug (Black)
- CP5** 5' Cord Male Plug (Black)
- SN1** PIR Motion Sensor

Specification Chart

Lumens	Watts	Color	CRI
9,750	61	5000K	80
8,000	49	5000K	80
6,000	37	5000K	80
4,000	24	5000K	80
2,000	12	5000K	80

Testing is based on ambient 25c. As nominal calculations, actual outputs may vary based on product configurations. We reserve the right to correct any printing errors or mistakes in our tables



LZ Series

Vaportight Narrow 4' Body

2,000 - 8,000 Lumens

Project: _____
 Location: _____
 Cat.No: _____
 Notes: _____

Product Description

The LZ Series Narrow Body 4' fixture is a sleek low profile vaportight fixture, ideal for applications needing extensive coverage on medium to low ceilings. It offers versatility with multiple lumen packages and mounting options, featuring various latch and lens styles. The casing is made in the USA with a robust build and a thick seal for durability in dusty or wet environments, it suits installation heights from 6 to 16 feet. Final assembly in Ontario, Canada ensures meticulous craftsmanship, making it the ideal lighting solution for your needs.

Application

This unit excels in industrial, commercial and agricultural settings where protection against water and dust is crucial. It thrives in applications such as washbays, dairy barns, sheep barns, horse barns, pig barns, welding factories, concrete factories, car washes, and more. Recommended for installation heights ranging from 6 to 16 feet, it's an exceptional choice for demanding environments.

Features

- Configurations exceeding 140 lm/w
- Robust LED boards made in-house by JW LED Inc.
- Standard 0-10V dimming for control/precision

Options

- Wide range of lumen outputs
- Variety of lens option's
- Customizable color temperature or CRI values
- Pre-wired whips (Specify in ordering code if required)

Mounting

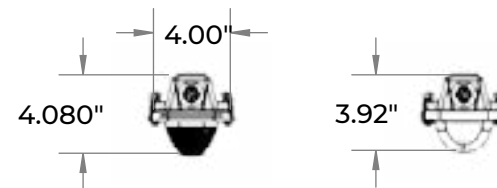
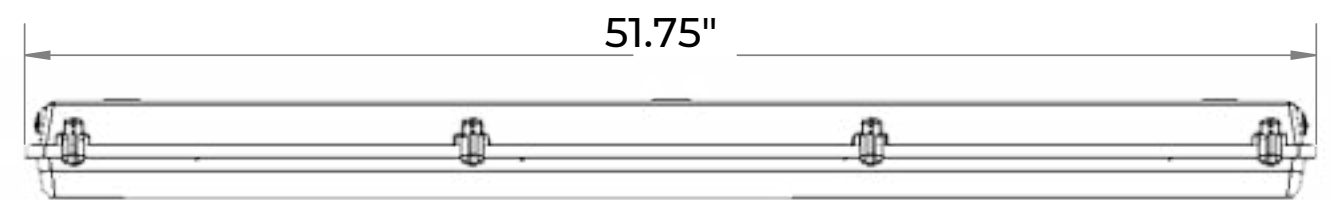
- Surface mount (This unit can be mounted directly to any ceiling or wall)
- Suspension mount (Chain mounting compatible by default)

Approvals

Approved for use in Canada and USA, QPS Certified, NSF Rated Components, Neema 4x rated

Warranty

Standard 5 year warranty, view our warranty policy for full details



Ordering Guide

Example: *LZN4-8C40K055L-UNVD1NW-FRPMMB*

LZN4	CRI	CCT	Lumens	Voltage	Driver	0-10V Wiring	Lens	Latches	Mounting
	8C 80	30K 3000K	080L 8,000 Lumens	UNV 120-277V	D1 0-10V 1%	NW Not Wired for DIM	CR Clear Ribbed	PM POM (Nylon Latches)	MB Surface/Chain Mount Brackets
	9C 90	40K 4000K	055L 5,500 Lumens	347 347V		PW Pre-Wired for DIM	FR Frosted Ribbed	SS Stainless Steel Latches	NM No Mount Bracket's
		50K 5000K	040L 4,000 Lumens				CS Clear Smooth		
		65K 6500K	020L 2,000 Lumens				FS Frosted Smooth		

Options

- Blank** None
- RTP** Retail Packaging
- CD2** 2' Whip Pre-Wired (Black)
- CD3** 3' Whip Pre-Wired (Black)
- SN1** PIR Motion Sensor
- SN2** PIR Motion Sensor (IP66)

Specification Chart

Lumens	Watts	Color	CRI
8,000	56	5000K	80
5,500	37	5000K	80
4,000	27	5000K	80
2,000	14	5000K	80

Testing is based on ambient 25c. As nominal calculations, actual outputs may vary based on product configurations. We reserve the right to correct any printing errors or mistakes in our tables



LZ Series

Vaportight Standard 4' Body

9,000 - 17,800 Lumens

Project: _____

Location: _____

Cat.No: _____

Notes: _____

Product Description

The LZ Series Standard Body 4' fixture is a renowned vaportight fixture, ideal for applications needing extensive coverage on low to high ceilings. It offers versatility with multiple lumen packages and mounting options, featuring various latch and lens styles. The casing is made in the USA with a robust build and a thick seal for durability in dusty or wet environments, it suits installation heights from 12 to 22 feet. Final assembly in Ontario, Canada ensures meticulous craftsmanship, making it the ideal lighting solution for your needs.

Application

This unit excels in industrial, commercial and agricultural settings where protection against water and dust is crucial. It thrives in applications such as washbays, dairy barns, sheep barns, horse barns, pig barns, welding factories, concrete factories, car washes, and more. Recommended for installation heights ranging from 12 to 22 feet, it's an exceptional choice for demanding environments.

Features

- Configurations exceeding 140 lm/w
- Robust LED boards made in-house by JW LED Inc.
- Standard 0-10V dimming for control/precision

Options

- Wide range of lumen outputs
- Variety of lens option's
- Customizable color temperature or CRI values
- Pre-wired whips (Specify in ordering code if required)

Mounting

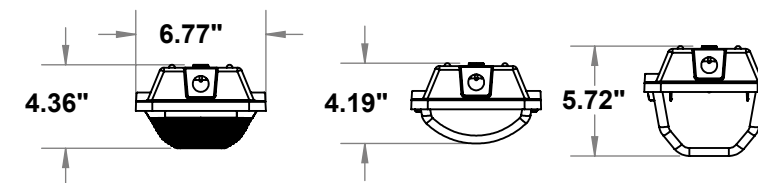
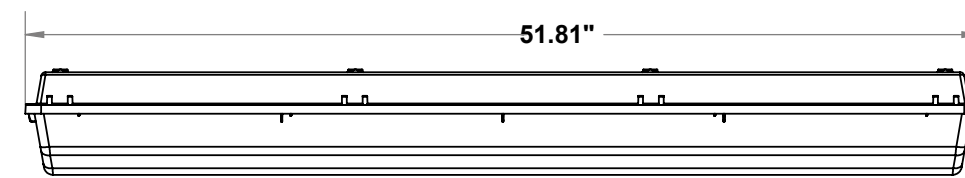
- Surface mount (This unit can be mounted directly to any ceiling or wall)
- Suspension mount (Chain mounting compatible by default)

Approvals

Approved for use in Canada and USA, QPS Certified, NSF Rated Components, Neema 4x rated

Warranty

Standard 5 year warranty, view our warranty policy for full details



NEMA 4X



Ordering Guide

Example: LZS4-8C40K178L-347D1NW-FRPMMB

LZS4	CRI	CCT	Lumens	Voltage	Driver	0-10V Wiring	Lens	Latches	Mounting
	8C 80	30K 3000K	178L 17,800 Lumens	UNV 120-277V	D1 0-10V 1%	NW Not Wired for DIM	CR Clear Ribbed	PM POM (Nylon Latches)	MB Surface/Chain Mount Brackets
	9C 90	40K 4000K	164L 16,400 Lumens	347 347V		PW Pre-Wired for DIM	FR Frosted Ribbed	SS Stainless Steel Latches	NM No Mount Bracket's
		50K 5000K	114L 11,400 Lumens				CS Clear Smooth		
		65K 6500K	090L 9,000 Lumens				FS Frosted Smooth		

Options

Blank None
 RTP Retail Packaging
 CD2 2' Whip Pre-Wired (Black)
 CD3 3' Whip Pre-Wired (Black)
 SN1 PIR Motion Sensor
 SN2 PIR Motion Sensor (IP66)

Specification Chart

Lumens	Watts	Color	CRI
17,800	122	5000K	80
16,400	113	5000K	80
11,400	78	5000K	80
9,000	62	5000K	80

Testing is based on ambient 25c. As nominal calculations, actual outputs may vary based on product configurations. We reserve the right to correct any printing errors or mistakes in our tables



LZ Series

Vaportight Standard 8' Body

9,000 - 17,800 Lumens

Project: _____
 Location: _____
 Cat.No: _____
 Notes: _____

Product Description

The LZ Series Standard Body 8' fixture is a renowned vaportight fixture, ideal for applications needing extensive coverage on low to high ceilings. It offers versatility with multiple lumen packages and mounting options, featuring various latch and lens styles. The casing is made in the USA with a robust build and a thick seal for durability in dusty or wet environments, it suits installation heights from 12 to 22 feet. Final assembly in Ontario, Canada ensures meticulous craftsmanship, making it the ideal lighting solution for your needs.

Application

This unit excels in industrial, commercial and agricultural settings where protection against water and dust is crucial. It thrives in applications such as washbays, dairy barns, sheep barns, horse barns, cattle barns, welding factories, concrete factories, car washes, and more. Recommended for installation heights ranging from 12 to 22 feet, it's an exceptional choice for demanding environments.

Features

- Configurations exceeding 140 lm/w
- Robust LED boards made in-house by JW LED Inc.
- Standard 0-10V dimming for control/precision

Options

- Wide range of lumen outputs
- Variety of lens option's
- Customizable color temperature or CRI values
- Pre-wired whips (Specify in ordering code if required)

Mounting

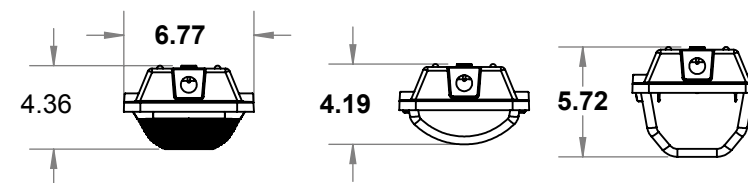
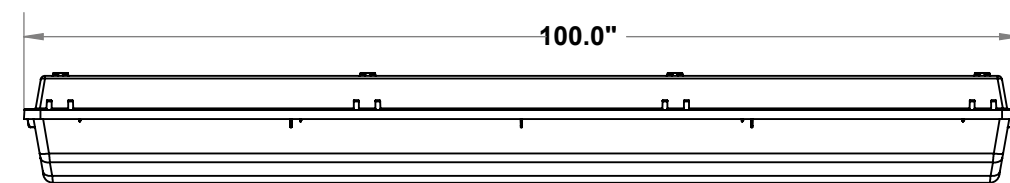
- Surface mount (This unit can be mounted directly to any ceiling or wall)
- Suspension mount (Chain mounting compatible by default)

Approvals

Approved for use in Canada and USA, QPS Certified, NSF Rated Components, Neema 4x rated

Warranty

Standard 5 year warranty, view our warranty policy for full details



Ordering Guide

Example: LZS8-8C40K178L-UNVD1NW-FRPMMB

LZS8	CRI	CCT	Lumens	Voltage	Driver	0-10V Wiring	Lens	Latches	Mounting
	8C 80	30K 3000K	178L 17,800 Lumens	UNV 120-277V	D1 0-10V 1%	NW Not Wired for DIM	CR Clear Ribbed	PM POM (Nylon Latches)	MB Surface/Chain Mount Brackets
9C 90	40K 4000K	164L 16,400 Lumens	347 347V		PW Pre-Wired for DIM	FR Frosted Ribbed	SS Stainless Steel Latches	NM No Mount Bracket's	
	50K 5000K	114L 11,400 Lumens				CS Clear Smooth			
	65K 6500K	090L 9,000 Lumens				FS Frosted Smooth			

Options
Blank None
RTP Retail Packaging
CD2 2' Whip Pre-Wired (Black)
CD3 3' Whip Pre-Wired (Black)
SN1 PIR Motion Sensor
SN2 PIR Motion Sensor (IP66)

Specification Chart

Lumens	Watts	Color	CRI
17,800	122	5000K	80
16,400	113	5000K	80
11,400	78	5000K	80
9,000	62	5000K	80

Testing is based on ambient 25c. As nominal calculations, actual outputs may vary based on product configurations. We reserve the right to correct any printing errors or mistakes in our tables



LZ Series

Vaportight Wide 4' Body

27,000 - 36,000 Lumens

Project: _____
 Location: _____
 Cat.No: _____
 Notes: _____

Product Description

The LZ Series Wide Body 4' fixture is a high output vaportight fixture, ideal for applications needing extensive coverage on high ceilings. It offers versatility with multiple lumen packages, mounting options, lens styles and sensors. The casing is made in the USA with a robust build and a thick seal for durability in dusty or wet environments, it suits installation heights from 16 to 40 feet. Final assembly in Ontario, Canada ensures meticulous craftsmanship, making it the ideal lighting solution for your needs.

Application

This unit excels in industrial, commercial and agricultural settings where protection against water and dust is crucial. Such as washbays, food storage warehouse, food processing plants, warehouses, welding factories, concrete factories, drive sheds, and more. Recommended for installation heights ranging from 16 to 40 feet, it's an exceptional choice for demanding environments.

Features

- Configurations exceeding 140 lm/w
- Robust LED boards made in-house by JW LED Inc.
- Standard 0-10V dimming for control/precision

Options

- Wide range of lumen outputs
- Variety of lens options
- Motion sensor controls
- Pre-wired whips (Specify in ordering code if required)

Mounting

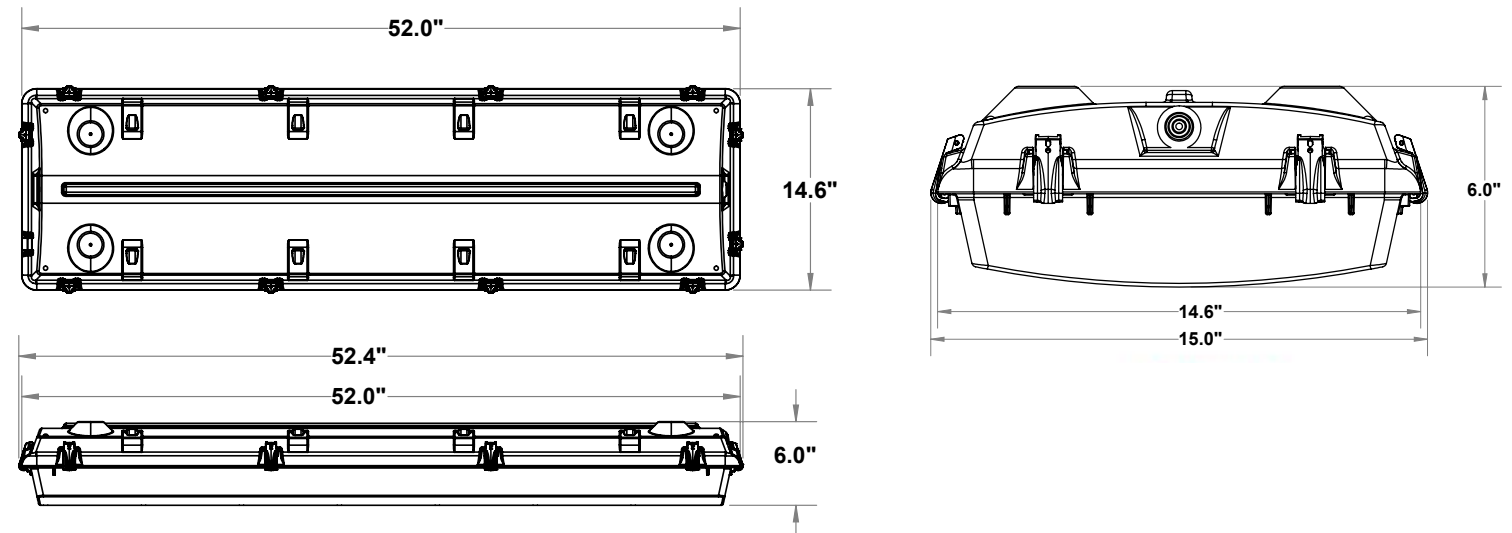
- Surface mount (This unit can be mounted directly to any ceiling or wall)
- Chain mount (Specify in ordering code)

Approvals

Approved for use in Canada and USA, QPS Certified, NSF Rated Components, Neema 4x rated

Warranty

Standard 5 year warranty, view our warranty policy for full details



Ordering Guide

Example: LZW4-8C40K30L-347D1NW-FSSSCM

LZW4	CRI	CCT	Lumens	Voltage	Driver	0-10V Wiring	Lens	Latches	Mounting
	8C 80	30K 3000K	360L 36,000 Lumens	UNV 120-277V	D1 0-10V 1%	NW Not Wired for DIM	FS Frosted Smooth	PM POM (Nylon Latches)	CH Chain Mount Hooks
	9C 90	40K 4000K	330L 33,000 Lumens	347 347V		PW Pre-Wired for DIM	FS Frosted Clear	SS Stainless Steel Latches	SM Surface Mount Hooks
		50K 5000K	300L 30,000 Lumens						HM Heavy Duty Surface Mount Bracket
		65K 6500K	270L 27,000 Lumens						

Options
Blank None
RTP Retail Packaging
CD2 2' Whip Pre-Wired (Black)
CD3 3' Whip Pre-Wired (Black)
SN1 PIR Motion Sensor
SN2 PIR Motion Sensor (IP66)

Specification Chart

Lumens	Watts	Color	CRI
36,000	248	5000K	80
33,000	227	5000K	80
30,000	206	5000K	80
27,000	186	5000K	80

Testing is based on ambient 25c. As nominal calculations, actual outputs may vary based on product configurations. We reserve the right to correct any printing errors or mistakes in our tables