



BA Series

1'x2' Commercial/Industrial Grade Lowbay

2,000 to 10,000 Lumens

Project: _____
 Location: _____
 Cat.No: _____
 Notes: _____

Product Description

The BA Series 1'x2' fixture is precision-engineered for expansive illumination with a wide 120-degree distribution angle, making it ideal for applications requiring broad coverage. Designed for medium to low ceilings, it offers versatility with various lumen packages and mounting options. Its robust thermal design ensures reliable performance in challenging conditions, suitable for installation heights from 6 to 20 feet. Handcrafted in Ontario, Canada, it's the ideal choice for your lighting needs.

Application

This unit is a great option for industrial, commercial or agricultural buildings such as metal fabricating shops, woodworking shops, storage sheds, warehouses, drive sheds, on farm shop's, grocery stores, tool stores, airplane hangers, hockey rinks, hobby shops and many more. Recommended Installation Height Is 6 to 20 Feet.

Features

- Configurations exceeding 160 lm/w
- Slim profile 1.75" thick for tight fit spaces
- Standard 0-10V dimming for control/precision
- Robust LED boards made in house by JW LED Inc.

Options

- Wide range of lumen outputs
- Variety of motion sensors or controls
- Customizable color temperature or CRI values
- Pre-wired whips for quick installation

Mounting

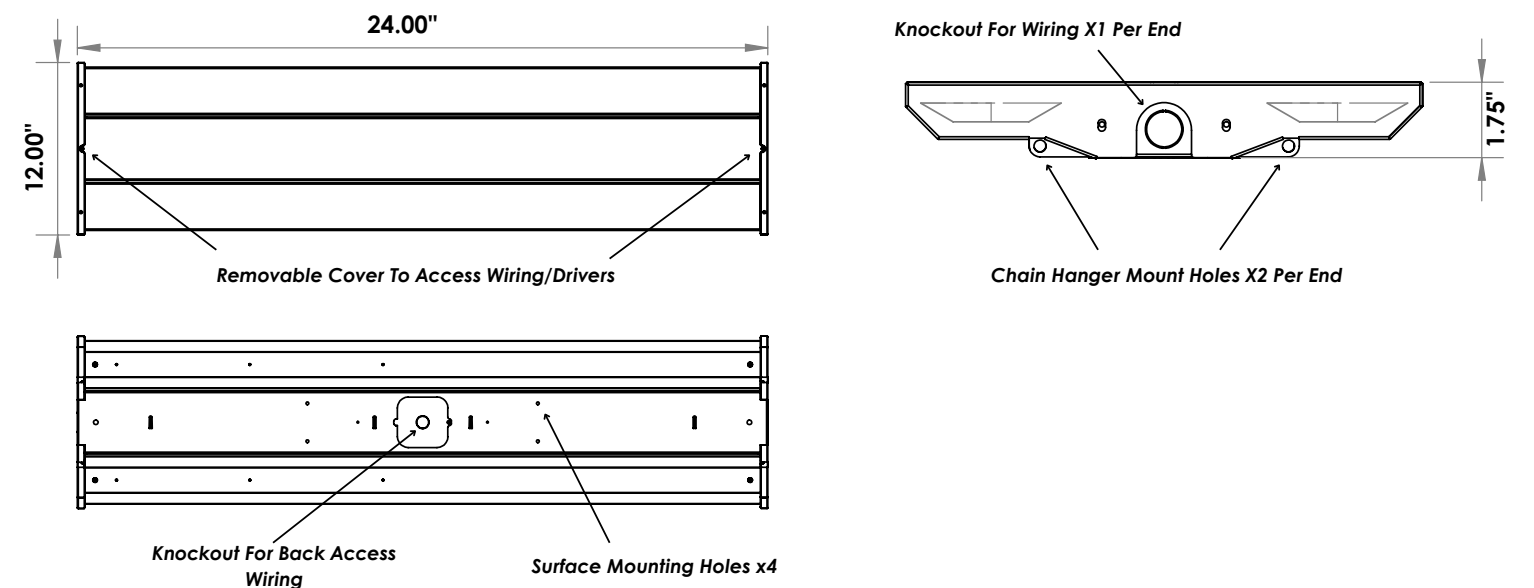
- Surface mount (This unit can be mounted directly to any ceiling or wall)
- Suspension mount (Add the chain hangers in the ordering code)

Approvals

Approved for use in Canada and USA, QPS Certified

Warranty

Standard 5 year warranty, view our warranty policy for full details



Ordering Guide

Example: BA12-8C50K195L-UNVD1NW-NLSM

BA12	CRI	CCT	Lumens	Voltage	Driver	0-10V Wiring	Lens	Mounting	Options
	8C 80	30K 3000K	097L 9,750 Lumens	UNV 120-277V	D1 0-10V 1%	NW Not Wired for DIM	NL No Lens	SM Surface Mount	Blank None
	9C 90	40K 4000K	080L 8,000 Lumens	347 347V		PW Pre-Wired for DIM	FS Frosted Smooth	CH Chain Hanger Hooks	RTP Retail Packaging
		50K 5000K	060L 6,000 Lumens						CD3 3' Whip Pre-Wired (Black)
		65K 6500K	040L 4,000 Lumens						MS5 Motion Sensor for Aisleway ^{4,5}
			020L 2,000 Lumens						MS4 Motion Sensor for 360° ^{4,5}

Specification Chart

Lumens	Watts	Color	CRI
9,750	61	5000K	80
8,000	49	5000K	80
6,000	37	5000K	80
4,000	24	5000K	80
2,000	12	5000K	80

Testing is based on ambient 25c. As nominal calculations, actual outputs may vary based on product configurations. We reserve the right to correct any printing errors or mistakes in our tables